

RAINBOW™

HIGH CAPACITY CHLORINE/ BROMINE FEEDERS

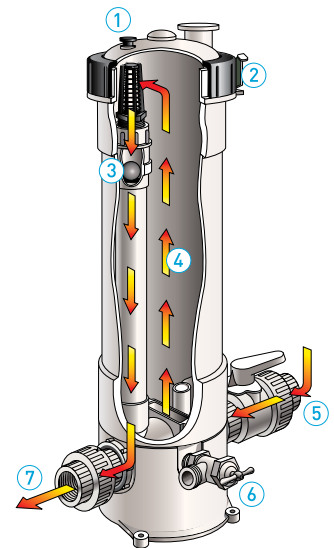


SANITIZATION MADE SUPER SIMPLE

Rainbow high capacity feeders are one of the easiest ways to sanitize large residential and commercial swimming pools using either chlorine or bromine slow dissolve tablets. These heavy-duty, high capacity feeders provide automatic sanitization for pools up to 658,500 gallons. They are designed for off-line plumbing installations using 1" PVC pipe and are available in three sizes to fit a variety of pool applications.

- Heavy-duty control valve for accurate feed rate adjustment.
- Completely enclosed system prevents fumes from escaping – no special venting required.
- New easy access design for recharging and servicing.
- NSF Listed.
- One-year warranty. See warranty for details.

- 1. Vent valve**
bleeds air to ease lid removal
- 2. Lock ring**
spins off, freeing lid and providing easy access. Snap-lock provides secure seal
- 3. Screen and check ball**
are easy to reach for cleaning and periodic maintenance
- 4. Flow-through circulation**
allows maximum output of sanitized water
- 5. External dial control**
for easy flow rate adjustment
- 6. Drain valve**
makes it easy to drain feeder for safer recharging and winterizing
- 7. Unions**
are included for easy installation



RAINBOW™

HIGH CAPACITY CHLORINE/ BROMINE FEEDERS

- Designed for ease of use and simple maintenance
- Drain valve allows easier draining for safer recharging or winterizing
- Standard threaded inlet and outlet fittings included for easy installation

HC-3340
40 lb. capacity

HC-3330
30 lb. capacity

HC-3315
15 lb. capacity



THE PERFORMANCE LEADER IN AUTOMATIC SANITIZATION FOR LARGE RESIDENTIAL AND COMMERCIAL POOLS

The INLET control valve side of the feeder connects to the plumbing on the discharge side of the pump, before the filter. The OUTLET side of the feeder connects to the pool return line after the filter and/or heater, pool cleaner, diverter valves, or any other installed equipment. Installation of a corrosion-resistant check valve such as #R172288 by Pentair between the feeder inlet and outlet and the equipment is strongly recommended to check backflow of chemicals. This helps ensure equipment longevity.

AVAILABLE FROM:



1620 HAWKINS AVE, SANFORD, NC 27330 800.831.7133 WWW.PENTAIRPOOL.COM

All Pentair trademarks and logos are owned by Pentair, Inc. Rainbow™ is a trademark of Pentair Water Pool and Spa, Inc. and/or its affiliated companies in the United States and/ or other countries. Because we are continuously improving our products and services, Pentair reserves the right to change specifications without prior notice. Pentair is an equal opportunity employer.

pumps • filters • heaters • heat pumps • automation • lighting • cleaners • sanitizers • water features • maintenance products

1/14 Part # R5-1012 ©2014 Pentair Water Pool and Spa, Inc. All rights reserved.



MODELS & SPECIFICATIONS

Model	HC-3315	HC-3330	HC-3340	
Part Number	R171215	R171230	R171240	
Height	21.5"	39.125"	49.75"	
Width	8"	8"	8"	
Depth	15"	15"	15"	
Maintenance Clearance	22.75"	40.375"	51"	
Capacity (lbs.)	15	30	40	
@ 100% Setting	Flow rate (GPM)	34	34	11.5
	Maximum Output Rate, Chlorine* (lbs./hr.)-Pool at listed flowrate	2.8	4.6	3.0
	Maximum Output Rate, Chlorine* (lbs./hr.)-Spa at listed flowrate	4.8	7.9	5.7
	Maximum Output Rate, Bromine* (lbs./hr.)-Pool at listed flowrate	0.6	1.1	1.7
@ 50% Setting	Flow rate (GPM)	17.8	17.8	9.2
	Output Rate, Chlorine* (lbs./hr.)-Pool at listed flowrate	2.1	3.4	2.6
	Output Rate, Chlorine* (lbs./hr.)-Spa at listed flowrate	1.8	3.0	5.4
	Output Rate, Bromine (lbs./hr.)-at listed flowrate	0.3	0.6	0.9
Maximum Pool Size @ 34 GPM (Chlorine-Gals)	224,000	369,000	658,500	
Maximum Pool Size @ 34 GPM (Bromine-Gals)	99,200	164,000	292,600	

Maximum working pressure – 50 psi

* Results based on use of 1" Trichlor tablets